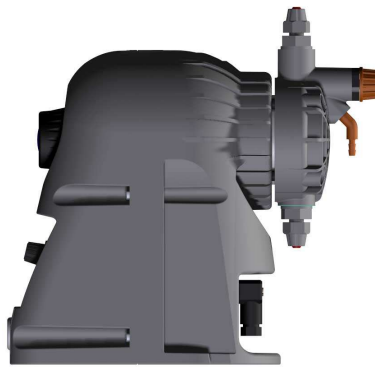




**FX CTRL 2**  
with stroke adjustment



**FXS CTRL 2**  
without stroke adjustment

These series includes both a dosing pumps and high tech controllers which features two parameters all in one enclosure: PH or RX (ORP).

**BENEFITS:** reducing stock value against a great quality and versatility against a price effective equipment.

### Two different controllers and a dosing pump in one box

#### Common key features:

- ⇒ **pH:** measuring range 0÷14,00 pH (resolution 0,01pH)
- ⇒ **RX:** measuring range: -1000÷ +1400 mV (resolution 1mV)
- 2 Reset modes: - full reset - partial reset keeping settings
- Proportional mode: selection of proportional range value
- Delay adjustment
- Delay at powering ON (electrodes polarization)
- Hysteresis regulation
- Over-dosing alarm time value
- Alarm for set point minimum lower value
- Alarm set point Maximum higher value

#### COMMON KEY FEATURES

- ⇒ Pump flow rate control
- ⇒ Microcontroller technology
- ⇒ Back-lit LCD display, digital controls
- ⇒ PTFE diaphragm
- ⇒ Stroke frequency control
- ⇒ Stroke length adjustment (FX)
- ⇒ LED display status
- ⇒ Air Bleed valve for priming
- ⇒ Plastic housing, reinforced Polypropylene
- ⇒ IP65 protection rating
- ⇒ models FX-FXS CTRL2/L include level probe

CTRL2 dosing pump with integral controller is NOT provided with electrodes and sensors which are available upon request. Please contact FWT sales office for these items.

#### PUMPS MAIN FEATURES

Power supply: **230 Vac (±10-15%) - 1 phase - 50/60 Hz**  
 Reproducibility under standard conditions: **± 5%**  
 Plastic housing and support: **PP reinforced, IP65**  
 Connectors: **4 pole**  
 Upon request: **110 Vac/60 Hz**  
 Ambient working temperature: **45°C**  
 Voltage working range: **min.207V + Max 253 V**  
 Voltage Peak: **Max 270 V**

Pumps are provided with **Standard Accessories Kit:**

- 1 - Injection valve;
- 2 m - Discharge Hose PE semi-rigid (white);
- 2 m - Suction Hose PVC flexible (transparent);
- 1,5 m - Air Bleed Hose PVC flexible (transparent);
- 1 - Foot Valve / Filter

Pumps are also provided upon request with **Level control switch (CTRL2/L model)**

All the products are manufactured according **CE regulations**

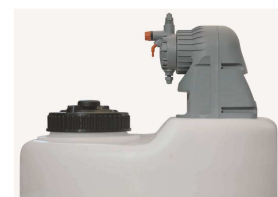
#### MOUNTING MODES

FX is "all round" series combining great quality at interesting price allowing to choose between the two most common mounting versions:

- **Foot mounting**
- **Wall mounting** (support upon request)



Wall mounting



Foot mounting

## TECHNICAL CHARACTERISTICS

Pump type	Max Flow / Max Pressure l/h bar	Start up* performance l/h bar	Output per stroke	Stroke length	Pump head type	Power / Current consumption
1,5-10	1,5 10	1,5 10	0,21 cc (ml)	0,80 mm	PP 3/8"	37 watts/0,16 Amp
2,5-15	2,5 15	2,5 15	0,34 cc (ml)	0,80 mm	PP 3/8"	37 watts/0,16 Amp
03-20	3 20	3,6 20	0,49 cc (ml)	1,00 mm	PVC20b3/8"	58 watts/0,25 Amp
5,5-07	5,5 7	6 7	0,77 cc (ml)	1.00 mm	PP 3/8"	37 watts/0,16 Amp
05-12	6 12	6,2 12	0,84 cc (ml)	1.00 mm	PP 3/8"	58 watts/0,25 Amp
08-09	8 9	7,5 9	1,10 cc (ml)	1.40 mm	PP 3/8"	58 watts/0,25 Amp
14-04	14 4	17,6 4	1,96 cc (ml)	2.20 mm	PP 3/8"	58 watts/0,25 Amp
22-02	22 2	23 2	3,08 cc (ml)	2.20 mm	PP 20L3/8"	58 watts/0,25 Amp

Max strokes frequency: 120 per min

Hose size: 4 x 6 mm (available 6x8 fittings)

Power supply: 230Vac – single phase 50-60 Hz

Max suction lift: 2 m

**\*NOTE:** "Start up" refer to pump starting performances; such performances are constant only if duties are not for continuous working and/or for time periods not over than 30/40 min. continuously and with at least 15 minutes rest.

## LIQUID ENDS

PARTS IN CONTACT WITH LIQUID	STANDARD VERSION	UPON REQUEST
Pump head	PP <sup>MEMO1 - MEMO2</sup>	PVDF; PMMA <sup>MEMO3 / NOTE</sup> ; AISI316
Diaphragm	PTFE	-----
Ball check valve	CERAMIC	AISI 316
Pump head Nipples / Hose-nut	PP	PVDF; AISI 316
Seals / O-rings	FPM (Viton ®)	EPDM (Dutral®); NBR; SILICON
Injection Fitting	PP	PVDF ; AISI 316; PTFE
Injection No-Return Valve (sleeve)	FPM (Viton ®)	EPDM (Dutral®); NBR; SILICON
Foot "Lip" type check valve	FPM (Viton ®)	EPDM (Dutral®); NBR; SILICON
Filter body / Filtering media	PP / GLASSWOOL	PVDF; AISI 316
Suction Hose / Air Bleed hose4x6mm	PVC flexible	PVDF; PTFE
Discharge Hose 4x6mm	PE semi-flexible	PVDF; PTFE

### OTHER OPTIONS AND SPECIAL CONFIGURATIONS UPON REQUEST:

Reed type "Lip" Valve	FPM (Viton ®)	EPDM (Dutral®); NBR; SILICON
Hastelloy spring foot ball valve/Fitting	HASTELLOY/CERAMIC/PP-PVC	PVDF; AISI 316
Hastelloy spring injection valve/Fitting	HASTELLOY / PYREX / PP-PVC	PVDF; AISI 316
Automatic auto-bleed pump head	PVDF AUTO BLEED <sup>NOTE</sup>	-----
Aggressive chemicals configuration	PVDF acid configuration <sup>MEMO4</sup>	-----

**MEMO 1:** pump head type 03-20 and 22-02 do not feature air bleed valve

**MEMO 2:** type 03-20 mounts PVC pump head

**MEMO 3:** polymer viscous liquid configuration: PMMA pump head, Ceramic ball checks (Ø11), Fittings PP1/2", seals FPM or EPDM, Injection fitting and Strainer (without no- return valve), suction hose PVC flex.10x14, discharge hose PE 10x14.

**MEMO 4:** aggressive chemical configuration: PVDF pump head/fittings, double Ceramic ball check valves, o-rings/seals FPM (or EPDM or PTFE), Foot valve "LIP" type, injection/ no-return ball with hastelloy spring, hoses PVDF

**NOTE** Using AUTO-BLEED or Polymer PMMA configuration, pump pressure performance decreases of about 50%

Net weight: 3÷3,6 kg

Packing weight: 3,4÷4 kg

Carton size (mm):  
330x250x220

