

Peristaltic series **TVPER-N** is a peristaltic dispenser and a digital timer all in one enclosure.

The Timer has one channel with 8 adjustable daily/weekly settings. The Peristaltic installed belong to the series VPER-N which features **flow rate adjustment**. The electronic control allows accurate adjustment from 10÷100% of motor rpm. The roller holder central shaft is connected to a ball bearing ensuring the correct movement of the shaft thus avoiding problems to the peristaltic hose.

Rapid installation and quick wall mounting. Each unit is provided with a standard accessory Kit according to the different application.

Peristaltics are self-priming.

TVPER-N is suitable to dose and control Peroxide or flocculant additives for small swimming pools; the systems is also designed for dosing chemical treatment of grease traps and dosing of biological active agents.



MAIN FEATURES

Power rating 230V 50/60Hz / Optional 24Vdc/ac / 110Vac	Santoprene hose (Silicon on request);
Variable motor speed flow control	Norprene hose for type 12-1,5
Plastic housing and support: ABS, IP55	Provided with accessories kit
UPON REQUEST : Level control and floating level switch (LED turns yellow)	

VPER-N TECHNICAL CHARACTERISTICS

Type	Flow rate	Max pressure	Standard Hose - Ø Hose	rpm*	Displacement	Power consumption	Suction lift
1-3	1 l/h	3 bar	Santoprene - 3,2 x 9,6 mm	37	0,45 ml/rpm	5.0 watts	1,5÷2 m
4-3	4 l/h	3 bar	Santoprene - 4,8 x 9,6 mm	37	1,80 ml/rpm	5.0 watts	1,5÷2 m
12-1	12 l/h	1 bar	Santoprene - 6 x 9 mm	108	1,85 ml/rpm	4.0 watts	1,5÷2 m
12-1,5	12 l/h	1,5 bar	Norprene - 9,6 x 15,9 mm	108	1,85 ml/rpm	6.0 watts	1,5÷2 m

*NOTE: motor rpm may change according to motor supplier availability; rpm may vary of ± 5/10% but flow rate will not change

TIMER MAIN TECHNICAL FEATURES

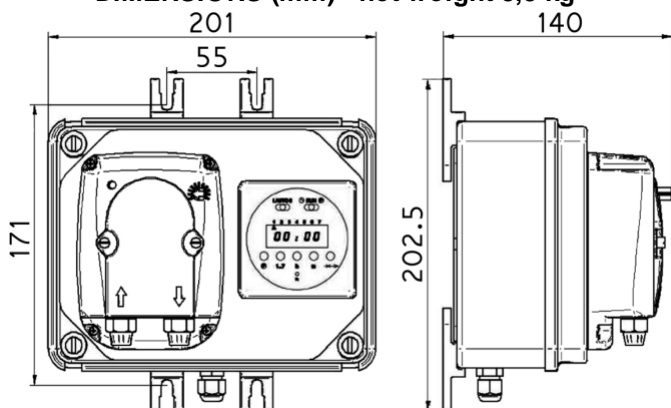
TIMER 1 CHANNEL TIMER 2 CHANNELS



Standard version features 1 channel timer: also available 2 channels timers

- ⇒ Quartzed timer switch with batteries alimentation
- ⇒ LCD display showing hours, day of the week and programming
- ⇒ Programmed memory of up to 5 years due to lithium battery
- ⇒ 24 Hours display / Day and week programming options
- ⇒ Repeatable programs
- ⇒ Shortest time between two switching points is 1 minute
- ⇒ Programming switch, Fast and easy programming
- ⇒ 1/AUTO/0 manual/automatic switch

DIMENSIONS (mm) - net weight 3,5 kg



ACCESSORIES KIT PROVIDED WITH TVPER-N

KIT WT

Kit comprised of:

1. Injection fitting 3/8" PP- PVC/Lip valve FPM;
1. Filter PP;
- 4 m Hose PVC flexible

